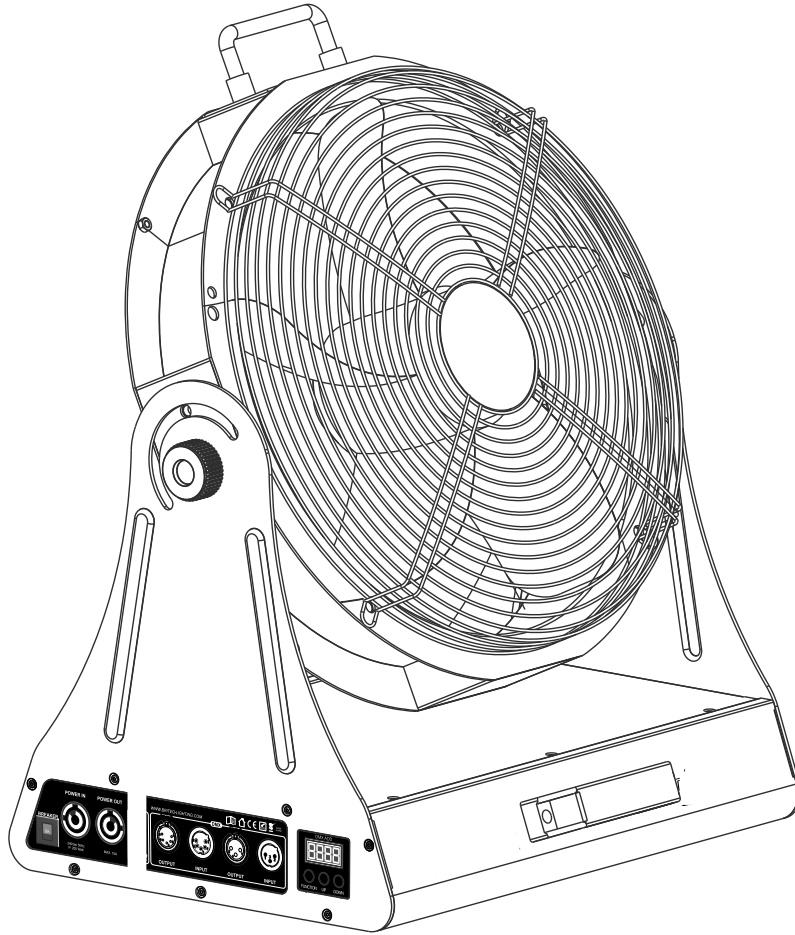
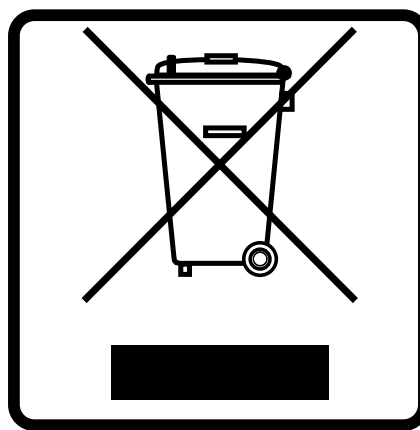




WIND FAN 185W





EN - DISPOSAL OF THE DEVICE

Dispose of the unit and used batteries in an environment friendly manner according to your country regulations.

FR - DÉCLASSER L'APPAREIL

Débarrassez-vous de l'appareil et des piles usagées de manière écologique Conformément aux dispositions légales de votre pays.

NL - VERWIJDEREN VAN HET APPARAAT

Verwijder het toestel en de gebruikte batterijen op een milieuvriendelijke manier conform de in uw land geldende voorschriften.

DU - ENTSORGUNG DES GERÄTS

Entsorgen Sie das Gerät und die Batterien auf umweltfreundliche Art und Weise gemäß den Vorschriften Ihres Landes.

ES - DESHACERSE DEL APARATO

Reciclar el aparato y pilas usadas de forma ecologica conforme a las disposiciones legales de su país.

PT - COMO DESFAZER-SE DA UNIDADE

Tente reciclar a unidade e as pilhas usadas respeitando o ambiente e em conformidade com as normas vigentes no seu país.

OPERATION MANUAL

Thank you for buying this Briteq® product. To take full advantage of all possibilities, please read these operating instructions very carefully.

FEATURES

- DMX-controlled studio & stage fan, also perfect for use in clubs, theatres, rental applications...
- Used for nice fog effects and perfect dispersion of smoke from smoke/hazer machines.
- Very powerful: up to 3500m³/hr or 58m³/min (2060 cfm)
- Seamless airflow (fan speed) control
- Multiple control options:
 - DMX-control 1channel
 - Wireless DMX (see below)
 - Very easy manual operation
- Easy in/output linking on stage:
 - DMX XLR 3+5pin
 - Original Neutrik PowerCON
- Adjustable blowing direction: manual orientation over 180°
- LED-display for easy setup and manual control
- Prepared for wireless DMX: just plug-in an optional WTR-DMX DONGLE
- Ready for truss rigging: prepared for use with optional omega brackets
- Perfect for studio use: almost inaudible at low speeds
- Very sturdy metal housing, designed for rough rental applications
- Several handles for easy transport

BEFORE USE

Check the contents:

Check that the carton contains the following items:

- Power cord
- User manual

Some important instructions:

- Before you start using this unit, please check if there's no transportation damage. Should there be any, do not use the device and consult your dealer first.
- **Important:** This device left our factory in perfect condition and well packaged. It is absolutely necessary for the user to strictly follow the safety instructions and warnings in this user manual. Any damage caused by mishandling is not subject to warranty. The dealer will not accept responsibility for any resulting defects or problems caused by disregarding this user manual.
- Keep this booklet in a safe place for future consultation. If you sell the fixture, be sure to add this user manual.
- To protect the environment, please try to recycle the packing material as much as possible.

SAFETY INSTRUCTIONS:



CAUTION
RISK OF ELECTRIC SHOCK
DO NOT OPEN



CAUTION: To reduce the risk of electric shock, do not remove the top cover. No user-serviceable parts inside. Refer servicing to qualified service personnel only.



The lightning flash with arrowhead symbol within the equilateral triangle is intended to alert the user or the presence of un-insulated "dangerous voltage" within the product's enclosure that may be of sufficient magnitude to constitute a risk of electric shock.



The exclamation point within the equilateral triangle is intended to alert the user to the presence of important operation and maintenance (servicing) instructions in the literature accompanying this appliance.



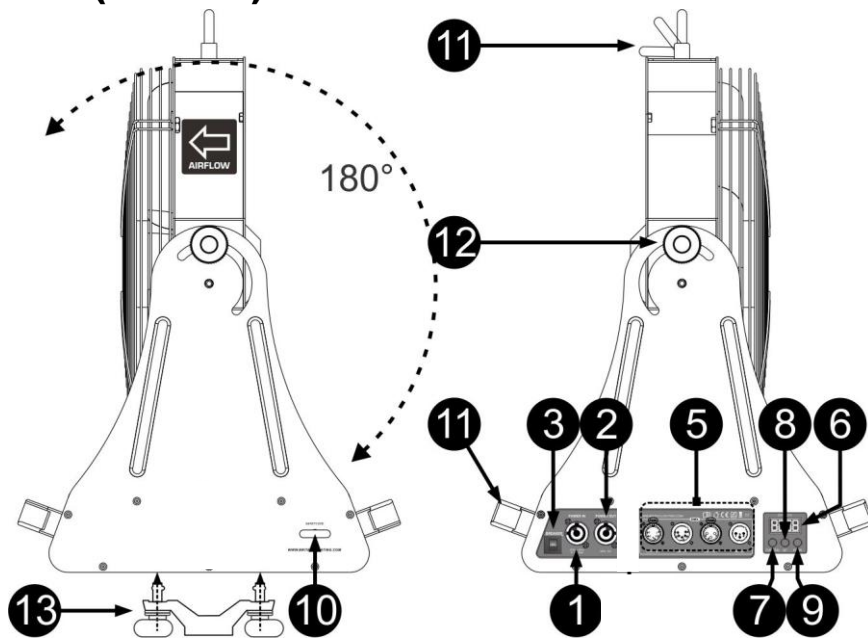
This symbol means: indoor use only



This symbol means: Read instructions

- To prevent fire or shock hazard, do not expose this appliance to rain or moisture.
- To avoid condensation to be formed inside, allow the unit to adapt to the surrounding temperatures when bringing it into a warm room after transport. Condensation sometimes prevents the unit from working at full performance or may even cause damages.
- This unit is for indoor use only.
- Don't place metal objects or spill liquid inside the unit. No objects filled with liquids, such as vases, shall be placed on this appliance. Electric shock or malfunction may result. If a foreign object enters the unit, immediately disconnect the mains power.
- No naked flame sources, such as lighted candles, should be placed on the appliance.
- Don't cover any ventilation openings as this may result in overheating.
- Prevent use in dusty environments and clean the unit regularly.
- Keep the unit away from children.
- Inexperienced persons should not operate this device.
- Maximum safe ambient temperature is 40°C. Don't use this unit at higher ambient temperatures.
- Always unplug the unit when it is not used for a longer time or before you start servicing.
- The electrical installation should be carried out by qualified personal only, according to the regulations for electrical and mechanical safety in your country.
- Check that the available voltage is not higher than the one stated on the rear panel of the unit.
- The socket inlet shall remain operable for disconnection from the mains.
- The power cord should always be in perfect condition: switch the unit immediately off when the power cord is squashed or damaged. It must be replaced by the manufacturer, its service agent or similarly qualified persons in order to avoid a hazard
- Never let the power-cord come into contact with other cables!
- This appliance must be earthed to in order comply with safety regulations.
- In order to prevent electric shock, do not open the cover. Apart from the mains fuse there are no user serviceable parts inside.
- **Never** repair a fuse or bypass the fuse holder. **Always** replace a damaged fuse with a fuse of the same type and electrical specifications!
- In the event of serious operating problems, stop using the appliance and contact your dealer immediately.
- Please use the original packing when the device is to be transported.
- Due to safety reasons it is prohibited to make unauthorized modifications to the unit.

FUNCTIONS (FRONT)



1. **MAINS INPUT:** equipped with original Neutrik PowerCON®. Connect the supplied mains cable or any PowerCON® extension cable here.
2. **MAINS OUTPUT:** used to daisy chain the power to several other units. Always pay attention to the maximum load while adding projectors! Special Multi cables (PowerCON® + DMX XLR-cables are optionally available: see our website!)
3. **MAINS FUSE:** protects the unit in case of electrical problems, press the button to re-arm if needed!
5. **DMX IN/OUT:** both 3pin and 5pin in/outputs are available to daisy chain the fan with other units that will be controlled by a DMX-controller.
6. **DISPLAY:** shows the value of the selected function. After 1 minute the display turns off (decimal point blinks to indicate that the fan is connected to the mains).
7. **MENU-button:** used to choose the desired function.
8. **▲-button:** used to increase a parameter value or DMX-address.
9. **▼-button:** used to decrease a parameter value or DMX-address.
10. **SAFETY EYE:** used to attach a safety cable when the unit is rigged, see paragraph “overhead rigging”.
11. **HANDLES:** 2 strong handles on the base + 1 foldable handle on the top of the fan to easily move the fan around on stage.
12. **ADJUSTMENT KNOB:** The fan can be rotated over 180° and locked in the desired position.
13. **OMEGA BRACKETS:** the strong metal base is designed to be used with 2pcs “OMEGA BRACKET



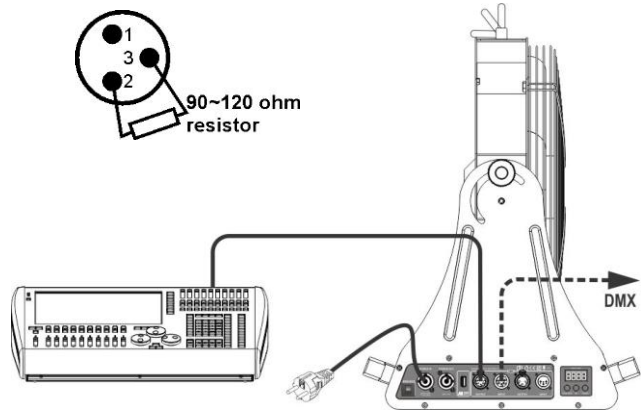
ELECTRICAL INSTALLATION



Important: The electrical installation should be carried out by qualified personal only, according to the regulations for electrical and mechanical safety in your country.

Electrical installation for two or more units in DMX-mode:

- The DMX-protocol is a widely used high speed signal to control intelligent light equipment. You need to “daisy chain” your DMX controller and all the connected units.
- Pin layout XLR-3pin: Pin1=GND ~ Pin2=Negative signal(-) ~ Pin3=Positive signal(+)
- Pin layout XLR-5pin: Pin1=GND ~ Pin2=Negative signal(-) ~ Pin3=Positive signal(+) ~ Pin4+5 = not used
- To prevent strange behavior of the light effects, due to interferences, you must use a 90Ω to 120Ω terminator at the end of the chain. Never use Y-splitter cables, this simply won't work!
- Make sure that all units are connected to the mains.
- Each unit in the chain needs to have its proper starting address so it knows which commands from the controller it has to decode.



OVERHEAD RIGGING

Important: The installation must be carried out by qualified service personal only. Improper installation can result in serious injuries and/or damage to property. Overhead rigging requires extensive experience! Working load limits should be respected, certified installation materials should be used, the installed device should be inspected regularly for safety.

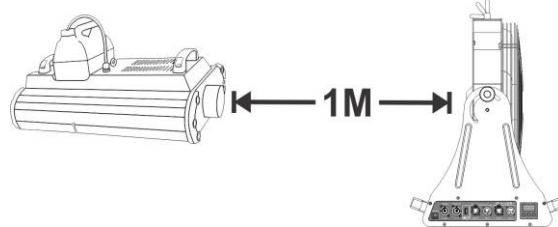
- Make sure the area below the installation place is free from unwanted persons during rigging, de-rigging and servicing.
- Locate the fixture in a well ventilated spot, far away from any flammable materials and/or liquids. The fixture must be fixed **at least 50cm** from surrounding walls.
- The device should be installed out of reach of people and outside areas where persons may walk by or be seated.
- Before rigging make sure that the installation area can hold a minimum point load of 10times the device's weight.
- Always use a certified safety cable that can hold 12times the weight of the device when installing the unit. This secondary safety attachment should be installed in a way that no part of the installation can drop more than 20cm if the main attachment fails.
- The device should be well fixed; a free-swinging mounting is dangerous and may not be considered!
- Don't cover any ventilation openings as this may result in overheating.
- The operator has to make sure that the safety-relating and machine-technical installations are approved by an expert before using them for the first time. The installations should be inspected every year by a skilled person to be sure that safety is still optimal.



OPERATING INSTRUCTIONS

IMPORTANT REMARK:

The smoke produced by a lot of smoke machines still contains oily substances. There is a risk that these oily substances will deposit and eventually drip off the fan. To prevent this from happening, we recommend that you remove the smoke machine at least one meter from the fan.



MANUAL OPERATION

Just connect the fan to the mains and set the desired fan speed on the display:

- F000 Fan off
- F001 Fan at minimum speed
- F100 Fan at maximum speed



Remark: the fan switches automatically to manual mode when no DMX-signal is detected. The last manual setting is preserved.

DMX OPERATION

- Connect all units together. Refer to the chapter “Electrical installation for two or more units in DMX-mode” to learn how to do this (don’t forget to address all units properly!)
- Connect all units to the mains and turn on the DMX controller.
Since each unit has its own DMX-address, you can control them individually.
See the DMX chart for the exact functions:



Channel:	Value:	Function:	Remarks:
1	000-008	Fan speed – STOPPED	
	009-255	Fan speed: slow → fast	

MAINTENANCE



DANGER TO LIFE:
Switch the unit off and unplug the mains cable **BEFORE** servicing!



- Make sure the area below the installation place is free from unwanted persons during servicing.

During inspection the following points should be checked:

- All screws used for installing the device and any of its parts should be tightly fastened and may not be corroded.
- Housings, fixations and installations spots (ceiling, truss, suspensions) should be totally free from any deformation.
- The mains cables must be in impeccable condition and should be replaced immediately when even a small problem is detected.
- Clean with a soft cloth using normal glass cleaning products.
- Always dry the parts carefully.
- The unit and its installation conditions should be inspected and approved every 3 months by an authorized expert!

Attention: We strongly recommend internal cleaning to be carried out by qualified personnel!

SPECIFICATIONS

This unit is radio-interference suppressed. This product meets the requirements of the current European and national guidelines. Conformity has been established and the relevant statements and documents have been deposited by the manufacturer.

Mains Input:	AC 230V, 50/60Hz
Power consumption:	200 Watts
Power connections:	PowerCON input + PowerCON output
DMX connections:	3&5 pin-XLR male / female inputs + outputs
Max. airflow:	3500m ³ /hr or 58m ³ /min (2060 cfm)
Fan noise @1m:	30dB (min speed) ~ 72dB (max speed)
IP-Rating:	IP44
Size:	See drawing
Weight:	16,5 kg

